

# H-PCV Series

## FUEL CELL ELECTRONIC PRESSURE CONTROL VALVE (REGULATOR)

### Key Features

Designed for hydrogen applications with up to 1.4 MPa (g) (203 psig) inlet pressure.

The H-PCV series electronic pressure control valve is an electronic pressure regulator that delivers stable outlet pressures under varying fuel cell flow demands and inlet pressures.

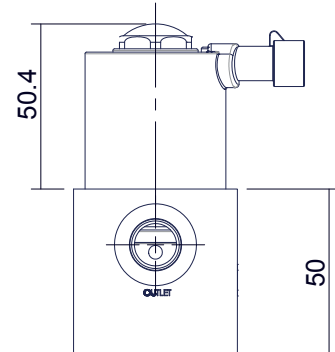
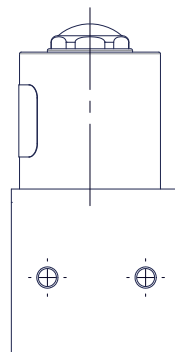
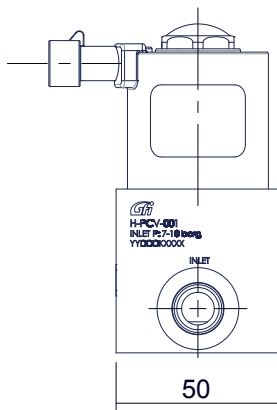
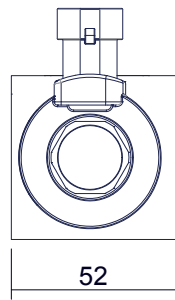
This H-PCV can also be integrated with a low pressure isolation valve such as the H-IVL family, a pressure relief valve (PRV), pressure sensors, filters and other desired options.

- Stable, electronically controlled outlet pressure
- Optional integrated low pressure isolation valve
- Optional integrated pressure sensor
- Optional integrated high flow Pressure Relief Valve (PRV)
- Wide range of pressure ranges available



# SPECIFICATIONS

H-PCV Series	
GENERAL INFORMATION	
APPLICATION	Hydrogen low pressure regulator
DESIGN	Electronically controlled proportional valve
BODY MATERIAL	Aluminum, anodized
FUEL TYPE	Hydrogen
PERFORMANCE	
NOMINAL WORKING PRESSURE	Up to 1.4 MPa (g); higher pressure customizations possible
REGULATED FLOW RATE	Configurable; > 4.1 g/s hydrogen (@ 20 °C)
WORKING TEMPERATURE	-40 °C to 85 °C (-40 °F to 185 °F)
OUTLET PRESSURE	Configurable from 0.2 to 3 bar nominal; electronically controlled
OPTIONAL PRESSURE RELIEF VALVE	Multiple settings available; to be determined with customer
OPTIONAL FILTER (REPLACEABLE)	40 µm, 99% efficiency
OPTIONAL PRESSURE SENSOR OR PORT	Customer defined
COIL	12 V: 5.5 ohm @ 20 °C; 24 V: 22.5 ohm @ 20 °C; PWM controlled
CONNECTIONS	
INLET THREAD TYPE	9/16" - 18 UNF; other configurations possible
OUTLET THREAD TYPE	9/16" - 18 UNF; other configurations possible



IATF 16949:2016 registered  
a Westport Fuel Systems company



300047\_REV B - All rights reserved. All information is subject to change without notice. Images for illustration purposes only, may not reflect configuration provided.