

H-P70 Series

HIGH PERFORMANCE OEM QUALITY HYDROGEN PRESSURE REGULATOR

Key Features

Designed for hydrogen applications up to 70 Mpa (10,000 psi). The H-P70 Series Regulator delivers stable outlet pressures under varying flow demands and inlet pressures.

This two-stage piston regulator is a reliable and cost-effective solution to feed any engine or fuel cell.

It can also be offered in as a first-stage piston with a second-stage diaphragm for even greater outlet pressure performance and stability.

- 2-Stage piston design for cost effective solution
- Optional first-stage piston and second-stage diaphragm design
- Nominal working pressure of 70 MPa
- Optional integrated high and low pressure sensors
- High flow design capable of >4g/sec H₂
- Integrated high flow Pressure Relief Valve (PRV)
- Wide range of factory set output pressures available



SPECIFICATIONS

H-P70 Series

GENERAL INFORMATION

| | |
|---------------|---|
| APPLICATION | Hydrogen regulation / pressure reduction |
| DESIGN | Two-stage piston, First-stage piston with second stage-diaphragm also possible |
| BODY MATERIAL | Aluminum, anodized |
| FUEL TYPE | Hydrogen per SAE J2719 and ISO 14687 |

PERFORMANCE

| | |
|--------------------------|---|
| NOMINAL WORKING PRESSURE | 70 MPaG |
| MAX WORKING PRESSURE | 87.5 MPaG |
| WORKING TEMPERATURE | -40 °C to +85 °C |
| OUTLET PRESSURE | Factory-set, commonly between 0.8 MPaG and 5 MPaG |
| FILTER | 10 micron and 40 micron options available |
| FLOW RATE | Outlet pressure dependent, capable of > 4g/sec H2 |

CONNECTIONS

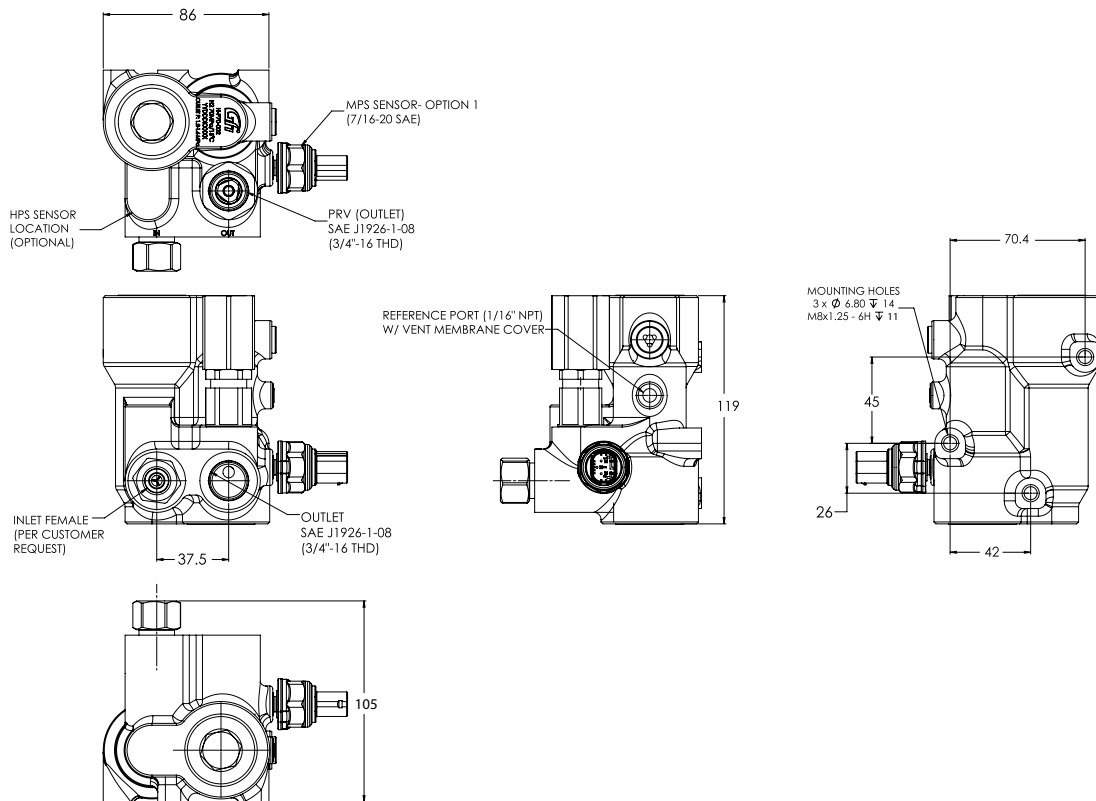
| | |
|--|--|
| INLET PORT | Can be customized for application (Swagelok FK Series, Voss and Usui commonly used) |
| OUTLET PORT | Can be customized for application (3/4" commonly used) |
| OPTIONAL HIGH AND LOW PRESSURE SENSOR PORT | Customer defined (based on sensor choice) |
| PRV OUTLET PORT | Can be customized for application (3/4" to 1-1/16" commonly used) |

INTEGRATED FEATURES

| | |
|---|---|
| EXCESS FLOW VALVE (EFV) ACTIVATION SETPOINT | Can be customized for application |
| PRESSURE RELIEF VALVE (PRV) ACTIVATION SETPOINT | Factory-set, depends on outlet pressure |
| OPTIONAL HIGH AND LOW PRESSURE SENSORS | Customer defined |

APPROVALS

| | |
|----------------|---------------------------|
| CERTIFICATIONS | HGV 3.1 AND EC 79 PENDING |
|----------------|---------------------------|



IATF 16949:2016 registered
a Westport Fuel Systems company

